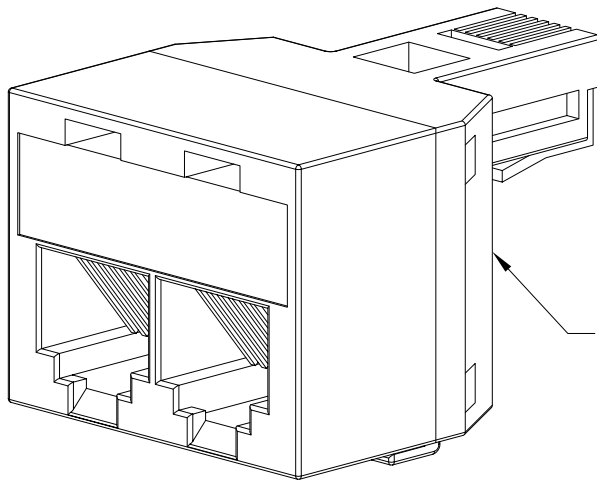


# 6P6C RJ-11 Voice Modular Adapter, PIN 1-1

## PRODUCT SPECIFICATION

### Package includes:

- A. 6P6C RJ-11 Voice Modular Adapter, 1 pc



6P6C RJ-11 Voice Modular Adapter

### Features and Benefits:

- Connects two line cords to a single modular jack
- Used with ICLC2, ICLC4, and ICLC6 line cords
- Available in ivory
- UL listed

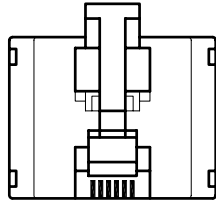
### MODULAR ADAPTER, VOICE, PIN 1-1

ITEM NO.	ICMA267D66
DWG NO.	PSMA267D66

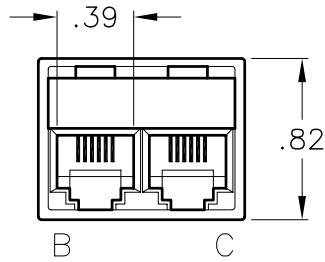
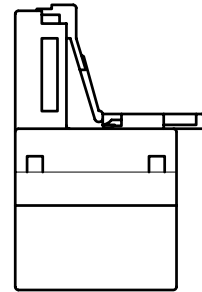
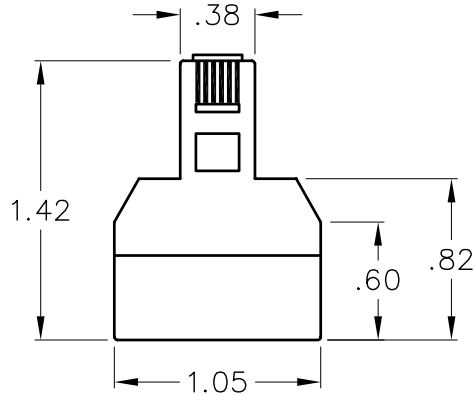
REV.	A
PAGE NO.	1



CUSTOMER CARE / TECHNICAL SUPPORT \* CSR@ICC.COM / 888-ASK-4-ICC (275-4422) \* 16800 Edwards Road, Cerritos, CA 90703 \* Phone 562-356-3111 \* Fax 562-356-3100 \* www.icc.com



A



B

C

**NOTE: UNLESS OTHERWISE SPECIFIED**

1. MATERIAL & FINISH:

- A. HOUSING: ABS, UL 94V-0
- B. COLOR: IVORY
- C. CONTACT: .45mm DIAMETER PHOSPHOR BRONZE  
GOLD PLATING OVER 100 MICRO INCH NICKLE
- D. GOLD PLATING: 1.27 MICRON/50 MICRO INCH MIN
- E. CONDUCTOR: 26 AWG, STRANDED

WIRING DIAGRAM :

6 CONDUCTORS		
JACK A	JACK B	JACK C
1	1	1
2	2	2
3	3	3
4	4	4
5	5	5
6	6	6

UL US FILE NO. 125268

**MODULAR ADAPTER, VOICE, PIN 1-1**

ITEM NO. ICMA267D66  
 DWG NO. PSMA267D66

REV. A  
 PAGE NO. 2



CUSTOMER CARE / TECHNICAL SUPPORT \* CSR@ICC.COM / 888-ASK-4-ICC (275-4422) \* 16800 Edwards Road, Cerritos, CA 90703 \* Phone 562-356-3111 \* Fax 562-356-3100 \* www.icc.com