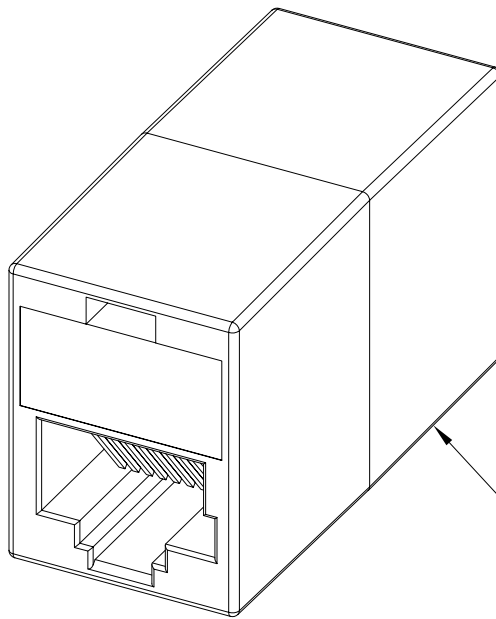


8P8C Keyed RJ-45 Voice Modular Coupler, PIN 1-1

PRODUCT SPECIFICATION

Package includes:

- A. 8P8C Keyed RJ-45 Voice Modular Coupler, 1 pc



8P8C Keyed RJ-45
Voice Modular Coupler

Features and Benefits:

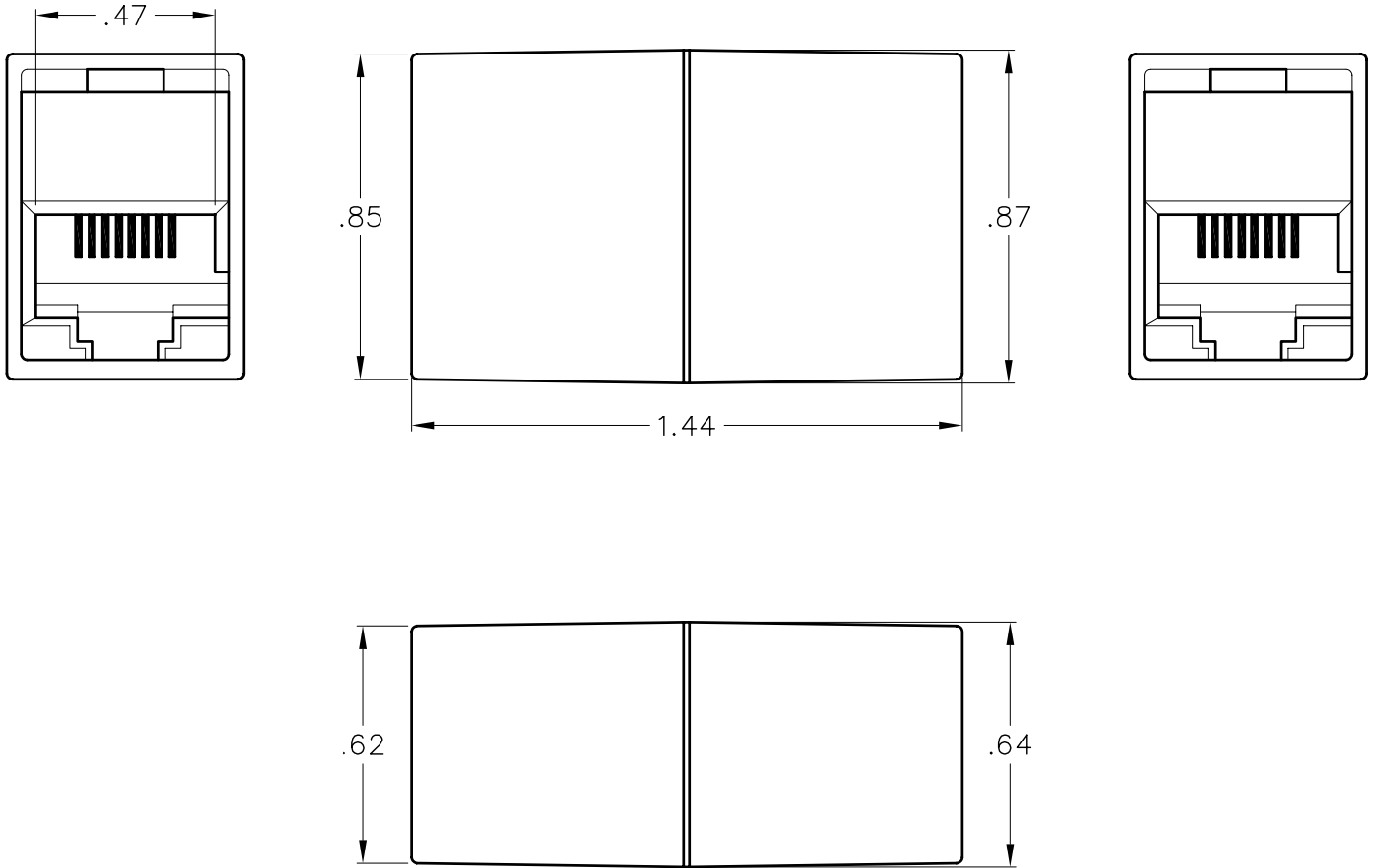
- Provides pin 1-1 keyed RJ-45 voice coupling
- Used with ICLC2, ICLC4, ICLC6, and ICLC8 line cords
- Available in ivory
- UL listed

MODULAR COUPLER, VOICE 8P8C KEYED, PIN 1-1

ITEM NO.	ICMA3508DR	REV.	A
DWG NO.	PSMA3508DR	PAGE NO.	1



CUSTOMER CARE / TECHNICAL SUPPORT * CSR@ICC.COM / 888-ASK-4-ICC (275-4422) * 16800 Edwards Road, Cerritos, CA 90703 * Phone 562-356-3111 * Fax 562-356-3100 * www.icc.com




NOTE: UNLESS OTHERWISE SPECIFIED


1. MATERIAL & FINISH:

- A. HOUSING: ABS, UL 94V-0
- B. COLOR: IVORY
- C. CONTACT: PHOSPHOR BRONZE GOLD PLATING
OVER 100 MICRO INCH NICKLE
- D. GOLD PLATING: 1.27 MICRON/50 MICRO INCH MIN

WIRING DIAGRAM :

8 CONDUCTORS	
PIN	PIN
1	1
2	2
3	3
4	4
5	5
6	6
7	7
8	8

 US FILE NO. 125268

MODULAR COUPLER, VOICE 8P8C KEYED, PIN 1-1		 Premium Products <i>Proven Performance</i> <i>Competitive Prices</i>
ITEM NO.	ICMA3508DR	
DWG NO.	PSMA3508DR	PAGE NO. 2

CUSTOMER CARE / TECHNICAL SUPPORT * CSR@ICC.COM / 888-ASK-4-ICC (275-4422) * 16800 Edwards Road, Cerritos, CA 90703 * Phone 562-356-3111 * Fax 562-356-3100 * www.icc.com