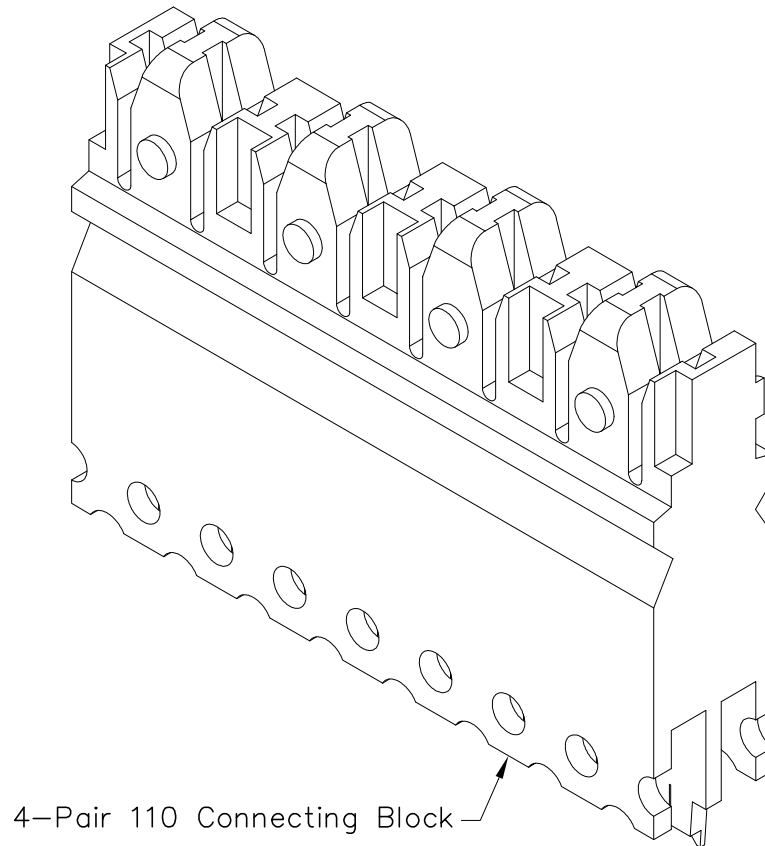


4-Pair 110 Connecting Block, 100 Pk

PRODUCT SPECIFICATION

Package includes:

A. 4-Pair 110 Connecting Block, 100 pcs



Features and Benefits:

- Designed for voice and data applications
- Performance exceeds Category 5e connecting hardware requirements specified in TIA/EIA-568-C.2
- Color coded and designed for repeated use
- Accepts 26~22 AWG solid or stranded wires
- Used with IC110 wiring blocks and IC110TC termination caps

110 CONNECTING BLOCK, 4-PAIR, 100 PK

ITEM NO. IC110CB4PC

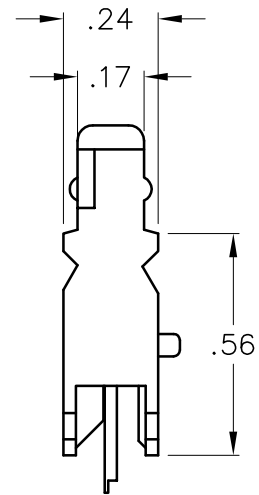
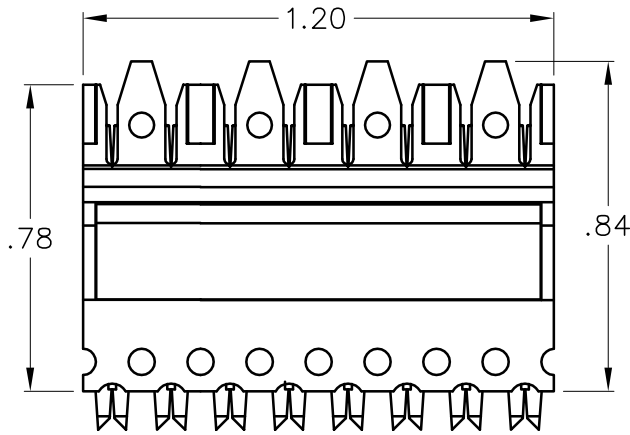
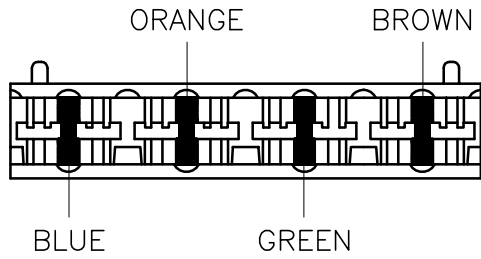
REV. A

DWG NO. PS110CB4PC

PAGE NO. 1



CUSTOMER CARE / TECHNICAL SUPPORT * CSR@ICC.COM / 888-ASK-4-ICC (275-4422) * 14700 Alondra Blvd., La Mirada, CA 90638 * www.icc.com



NOTE: UNLESS OTHERWISE SPECIFIED

1. MATERIAL:

A. CONTACT: COPPER ALLOY, 100 MICRO INCHES BRIGHT SOLDER OVER 100 MICRO INCHES OF NICKEL UNDERPLATE

B. HOUSING: ABS, UL 94V-0

CAT 5e CONNECTING HARDWARE REQUIREMENTS										
FREQUENCY (MHz)	1.0	4.0	8.0	10.0	16.0	20.0	25.0	31.25	62.5	100
NEXT LOSS (db)	65.0	65.0	64.9	63.0	58.9	57.0	55.0	53.1	47.1	43.0
FEXT LOSS (db)	75.1	63.1	57.0	55.1	51.0	49.1	47.1	45.2	39.2	35.1
RETURN LOSS (db)	35.0	35.0	35.0	35.0	35.0	34.0	32.0	30.1	24.1	20.0
INSERTION LOSS(db)	0.10	0.10	0.10	0.10	0.20	0.20	0.20	0.20	0.30	0.40

110 CONNECTING BLOCK, 4-PAIR, 100 PK

ITEM NO. IC110CB4PC
 DWG NO. PS110CB4PC

REV. A
 PAGE NO. 2



CUSTOMER CARE / TECHNICAL SUPPORT * CSR@ICC.COM / 888-ASK-4-ICC (275-4422) * 14700 Alondra Blvd., La Mirada, CA 90638 * www.icc.com