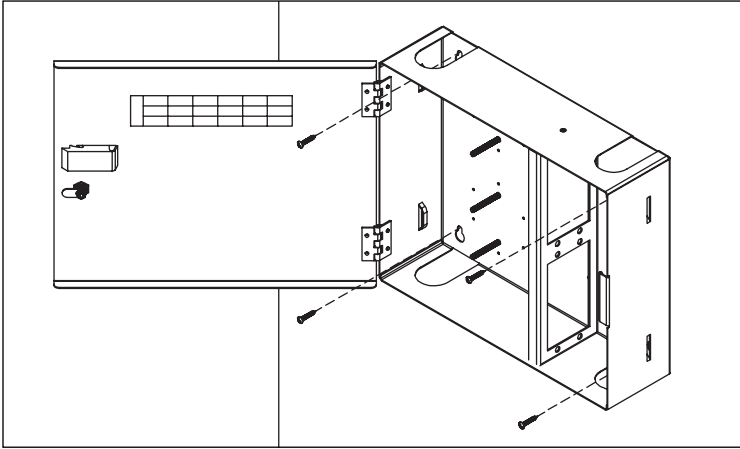


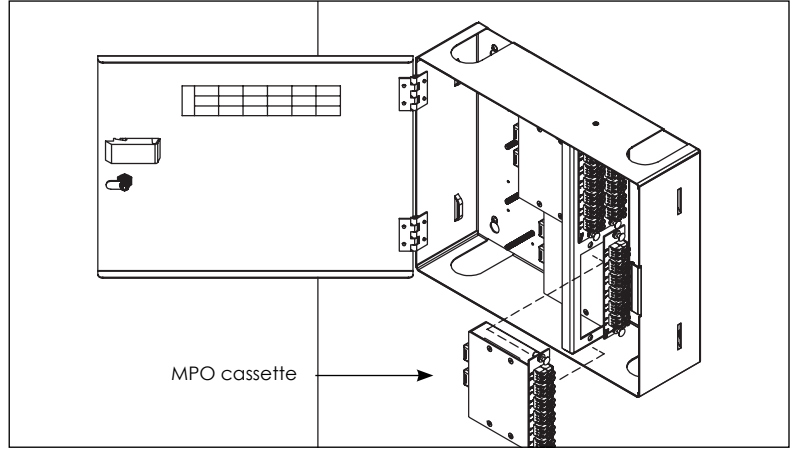


# Fiber Optic Wall Mount Enclosure, 4-Panel, Single Door

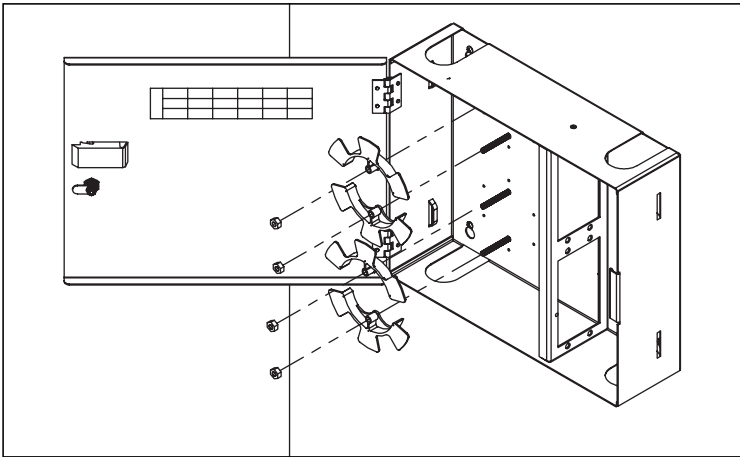
## INSTALLATION INSTRUCTIONS



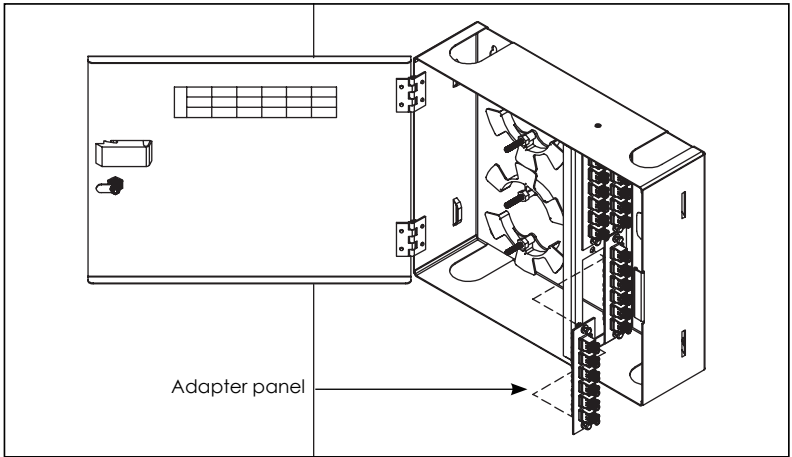
Step 1. Mount the enclosure on a wall near the fiber cable entry point.  
Note: Screws are not included.



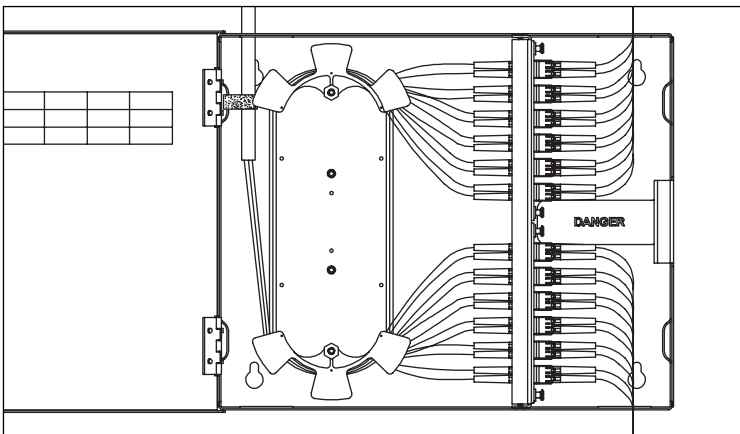
Step 2A. Install fiber optic MPO cassettes as illustrated.



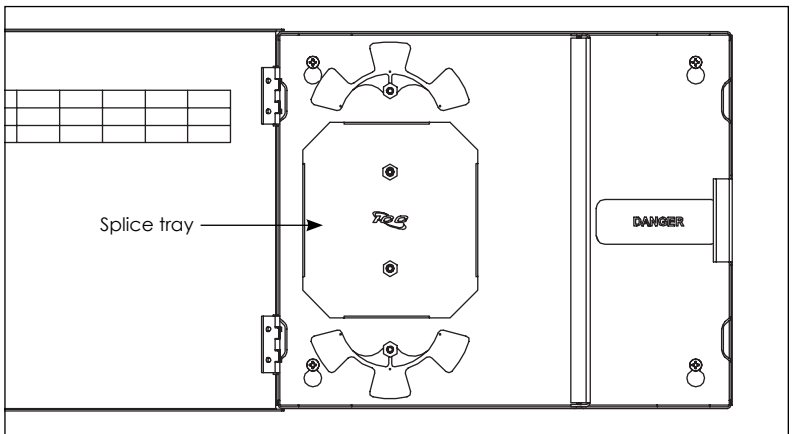
Step 2B-1. Install cable management spools and secure them using screw nuts. Note: Spools can be configured and stacked in a variety of ways depending on preference.



Step 2B-2. Install fiber optic adapter panels as illustrated.



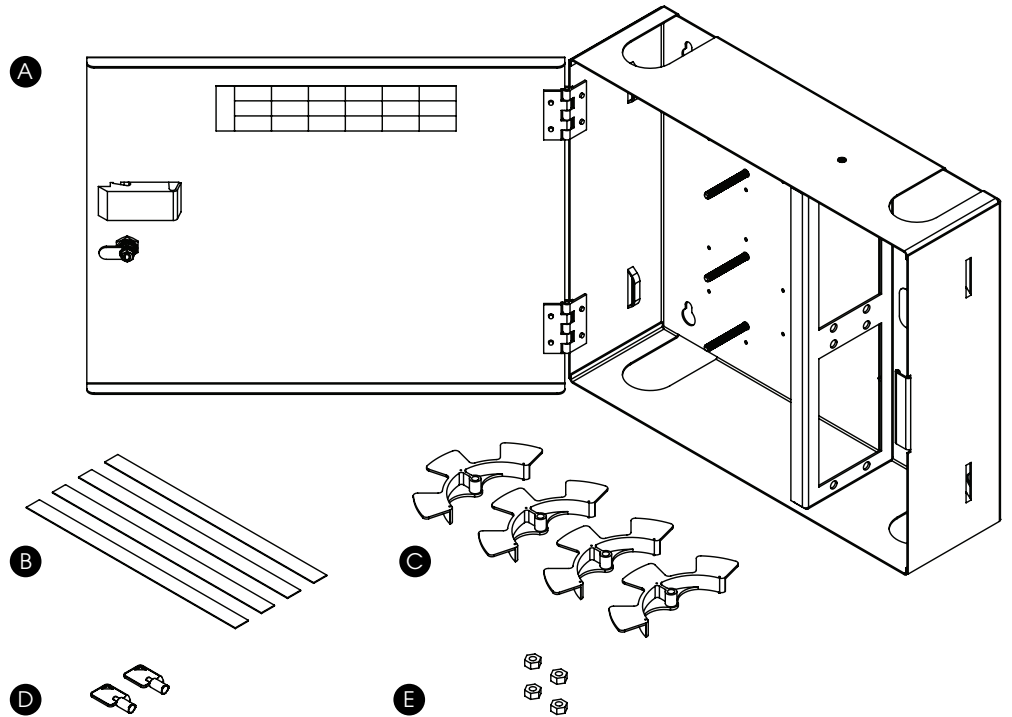
Step 3. Follow proper fiber bend radius standard and route cable around spools.



Optional: If splicing is required then install a splice tray and secure it with screw nuts. Splice tray sold separately.

# Fiber Optic Wall Mount Enclosure, 4-Panel, Single Door

## INSTALLATION INSTRUCTIONS



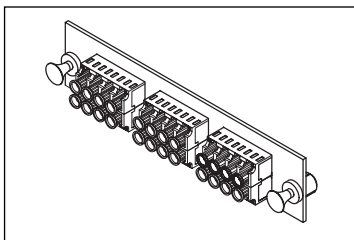
### ICFODE41WM

- A** Wall mount fiber optic enclosure, 1 pc.
- B** Velcro® cable ties, 4 pcs.
- C** Cable management spools, 4 pcs.
- D** Keys, 2 pcs.
- E** M5 x 0.8 screw nuts, 4 pcs.

## FEATURES AND BENEFITS

- Enclosure is designed to be wall mounted
- Made of durable 18 gauge steel with a black powder coated finish
- Holds up to 4 adapter panels or MPO cassettes
- Holds 2 splice trays; 12 splices per tray
- 10.75" H x 13" W x 3.5" D
- The door comes with a lock and keys for security

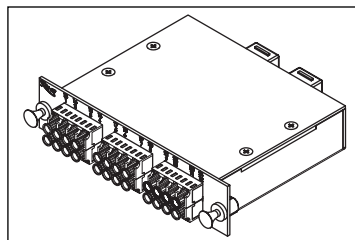
## OPTIONAL ACCESSORIES



**LC HD 10G Fiber Adapter Panel**

**ICFOPL161G** 6 LC quad aqua adapters, 24 fibers

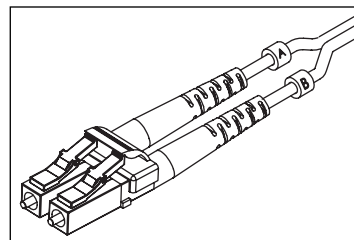
- LC to LC
- 10G aqua adapters
- Metal sleeves
- Supports multimode



**LC HD 10G Fiber MPO Cassettes**

**ICFC24ML1G** 6 LC quad aqua adapters, 24 fibers  
**ICFC12ML1G** 6 LC duplex aqua adapters, 12 fibers

- LC to LC
- 10G aqua adapters
- 50/125µm (OM3)
- Metal sleeves
- Supports multimode

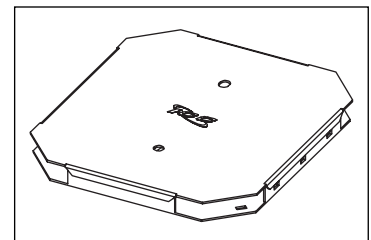


**LC 10G Fiber Jumpers**

**ICFOJ1G6zz<sup>1</sup>** Simplex  
**ICFOJ1G7zz<sup>1</sup>** Duplex

- LC to LC
- 50/125µm (OM3)
- OFNR riser rated cable
- Supports multimode

Length (zz<sup>1</sup>) = 01, 02, 03, 05, 07, 10 meters



**Splice Tray**

**ICFOSKFM12**

- Supports 12 fiber splices